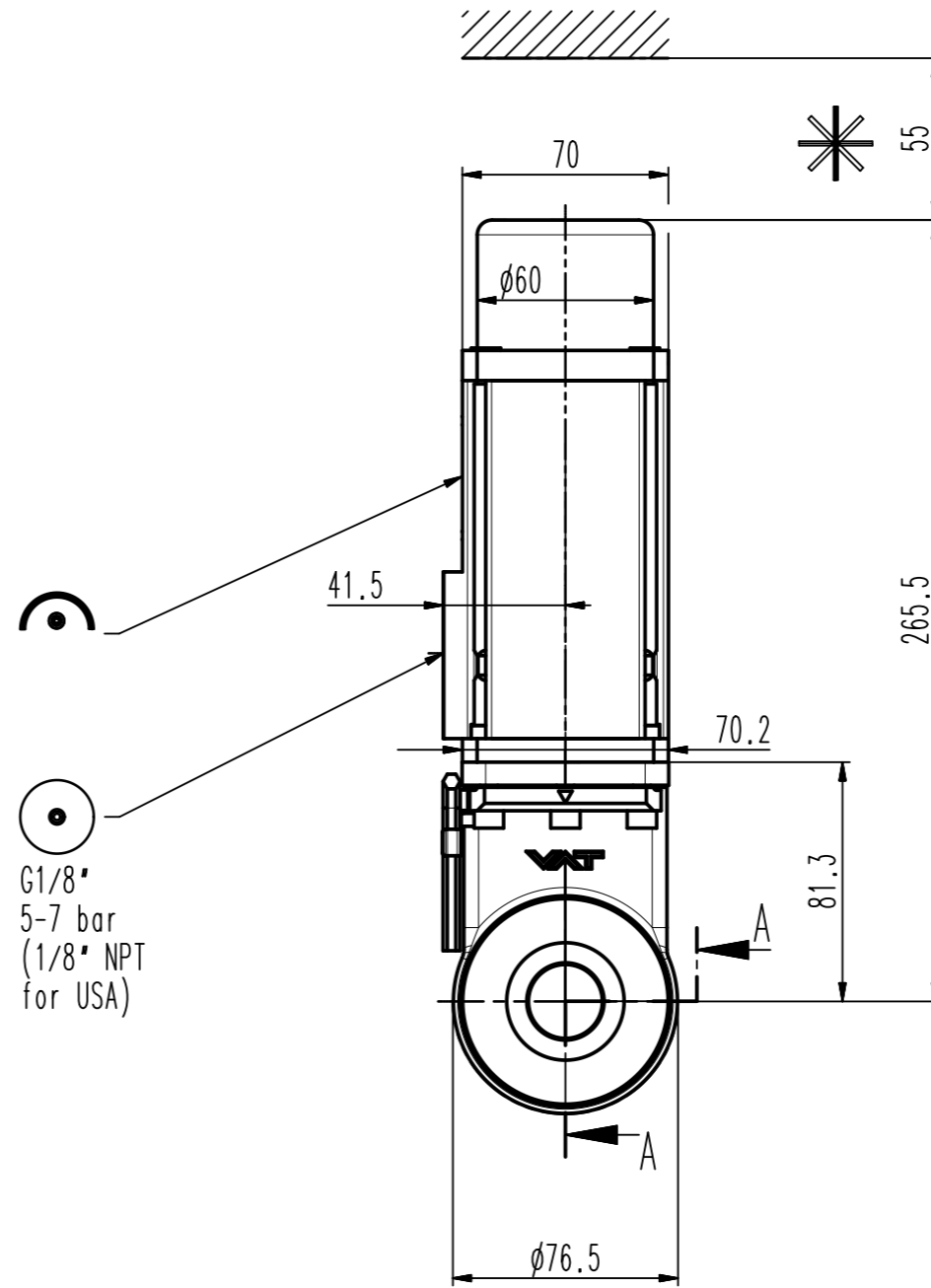
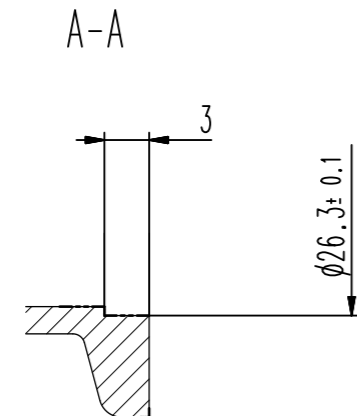
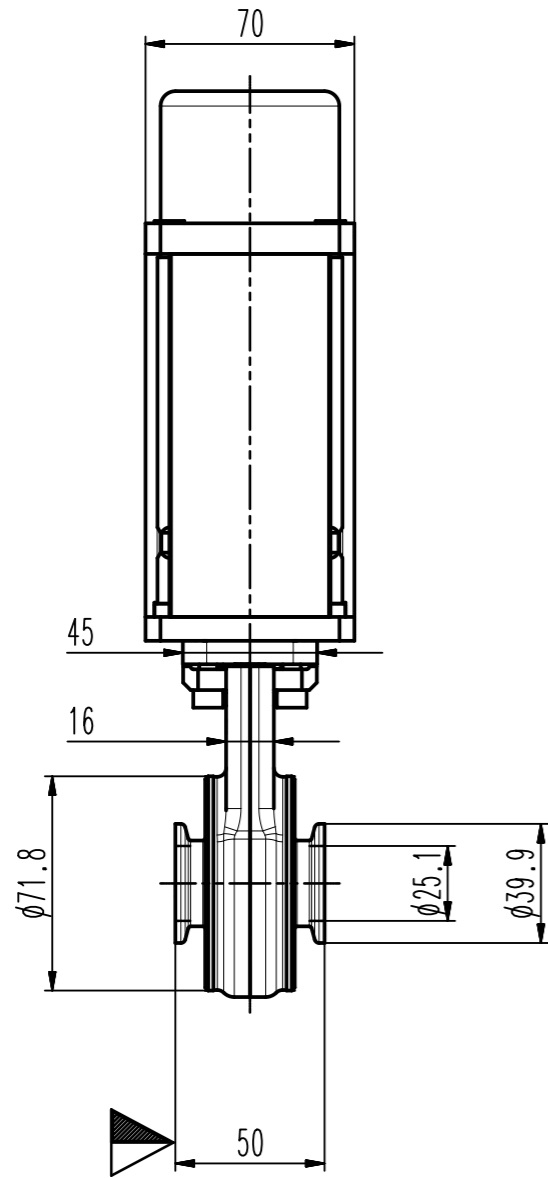


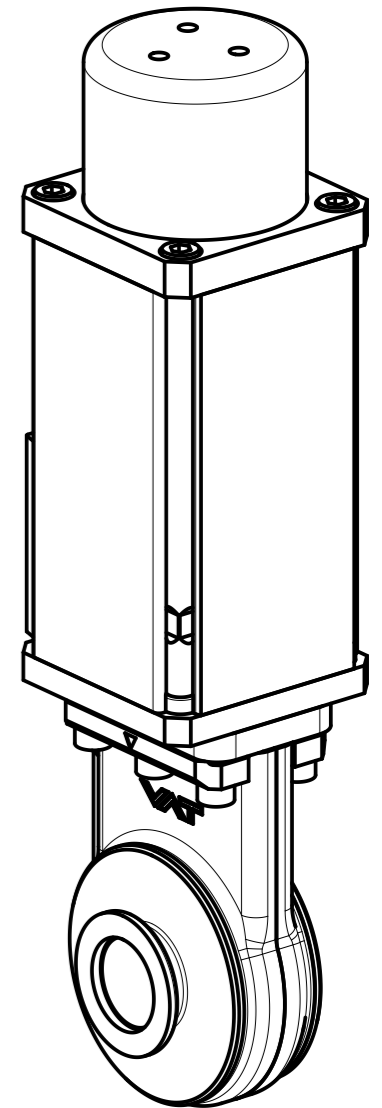
This drawing is the property of VAT.

Revision

Customer number



G1/8"
5-7 bar
(1/8" NPT
for USA)



- ▼ Seat side
- ⊙ Comp. air connection
- ⊙ Electrical connection
- ⊙ Leak detection port
- ⊙ Mech. pos. indication
- ⊙ Position indicator
- ⊙ Required for dismantling
- ⊙ Emergency actuation
- ⊙ For attachment
- ⊙ Bake-out area
- ⊙ Differential pumping port

Mini UHV gate valve



VAT Vakuumventile AG

CH-9469 Haag, Switzerland
Tel ++41 81 7716161 Fax ++41 81 7714830

Rev.-Date: 31.05.16

Visa: KON

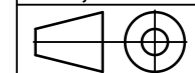
Series

010

Ordering No.

01028-KE11-0002

Projection E



DN

25

Flange

ISO-KF

Dimensional Drawing

316609

Rev.

A

VAT/DA