



VAT Vakuumventile AG  
CH-9469 Haag, Schweiz

## Product data sheet

**Mini Vakuum gate valve, Series 012, DN 16 (ID 5/8")**  
**Ordering No. 01224-KA44**

### Description

Flange	ISO-KF 16
Actuator	pneumatic, double acting – with solenoid valve – with position indicator
Feedthrough	Shaft feed through

### Technical data

Leak rate	– Valve body	$< 1 \cdot 10^{-9}$ mbar ls <sup>-1</sup>
	– Valve seat	$< 1 \cdot 10^{-9}$ mbar ls <sup>-1</sup>
Pressure range		$1 \cdot 10^{-7}$ mbar to 1 bar (abs)
Differential pressure on the gate		$\leq 1$ bar
Differential pressure at opening		$\leq 30$ mbar
Conductance (molecular flow)		10 ls <sup>-1</sup>
Cycles until first service		50 000
Temperature	– Valve Body	$\leq 100$ °C
(Maximum values: depending on operating conditions and sealing materials)	– Actuator	$\leq 80$ °C
	– Solenoid valve	$\leq 50$ °C
	– Position indicator	$\leq 80$ °C
Heating and cooling rate		$\leq 30$ °C h <sup>-1</sup>
Material	– Valve Body	EN AW – 6082 (3.2315)
	– Gate	AISI 304 (1.4301)
Seal	– Bonnet	FKM (Viton®)
	– Gate	FKM (Viton®), vulcanized
	– Actuator	FKM (Viton®)
Mounting position		any
Volume of pneumatic actuator		0.01 l / 0.0004 ft <sup>3</sup>
Compressed air min. – max. overpressure		4.5 – 7 bar / 65 – 100 psi
Compressed air connection		G 1/8" (1/8" NPT for USA)
Actuation time	– closing	0.8 s
	– opening	0.8 s
Weight		0.5 kg / 1.1 lbs

Created by: SON	Release date: 2012-12-21	1 of 2
Modified by:	Release date:	<b>298746EA</b>



VAT Vakuumentile AG  
CH-9469 Haag, Schweiz

## Product data sheet

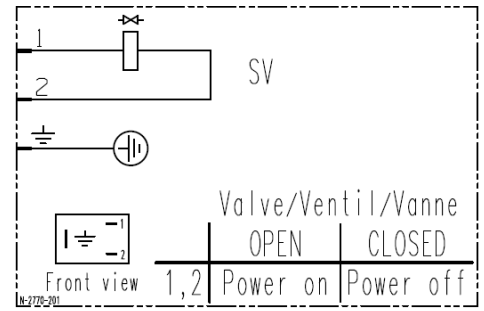
**Mini Vakuum gate valve, Series 012, DN 16 (ID 5/8")**  
**Ordering No. 01224-KA44**

Behavior in case of compressed air pressure drop	– Valve closed – Valve open	valve remains closed undefined
Behavior in case of power failure	– Valve closed – Valve open	valve remains closed valve closes

### Electrical connections

#### Solenoid valve

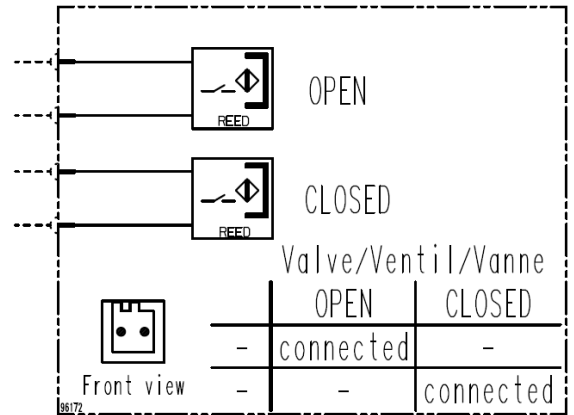
Type	4/2-way
Voltage	Defined by order



Wiring diagram

#### Position indicator

Voltage	≤ 250 V AC	≤ 50 V AC / DC
Current max.	5.0 A	≤ 0.5 A
Power	Max. 10 W	



Wiring diagram