



VAT Vakuumventile AG
CH-9469 Haag, Schweiz

Product data sheet

Low particle gate valve, Series 150, DN 63 (ID 2 1/2")

Ordering No. 15036-PA44

Description

| | |
|-------------|--|
| Flange | ISO-F 63 |
| Actuator | Pneumatic, double acting – with solenoid valve – with position indicator |
| Feedthrough | Shaft feedthrough |

Technical data

| | | |
|--|--|--|
| Leak rate | – Valve body – Valve seat | $< 1 \cdot 10^{-9}$ mbar ls ⁻¹ $< 1 \cdot 10^{-9}$ mbar ls ⁻¹ |
| Pressure range | | $1 \cdot 10^{-7}$ mbar to 1 bar (abs) |
| Differential pressure on the gate | | ≤ 1.2 bar |
| Differential pressure at opening | | ≤ 30 mbar |
| Conductance (molecular flow) | | 480 ls ⁻¹ |
| Cycles until first service | | 500 000 (unheated and under clean conditions) |
| Temperature (Maximum values: depending on operating conditions and sealing materials) | – Valve Body – Actuator – Solenoid valve – Position indicator | ≤ 120 °C (bake-out max. 24h) ≤ 100 °C ≤ 50 °C ≤ 80 °C |
| Heating and cooling rate | | 30 °C h ⁻¹ |
| Material (main components) | – Valve Body – Gate – Shaft | EN AW-6082 (3.2315) EN AW-6082 (3.2315) AISI 303 (1.4305) |
| Seal | – Bonnet – Gate – Actuator | FKM (Viton®) FKM (Viton®), vulcanized FKM (Viton®) |
| Mounting position | | Any |
| Volume of pneumatic actuator | | 0.22 l / 0.008 ft ³ |
| Compressed air min. – max. overpressure | | 4 – 7 bar / 58 – 102 psi |
| Compressed air connection | | G 1/8" (1/8" NPT for USA) |

| | | |
|-----------------|--------------------------|-----------------|
| Created by: MAY | Release date: 15.07.2014 | 1/2 |
| Modified by: | Release date: | 756296EA |



VAT Vakuumventile AG
CH-9469 Haag, Schweiz

Product data sheet

Low particle gate valve, Series 150, DN 63 (ID 2 1/2")

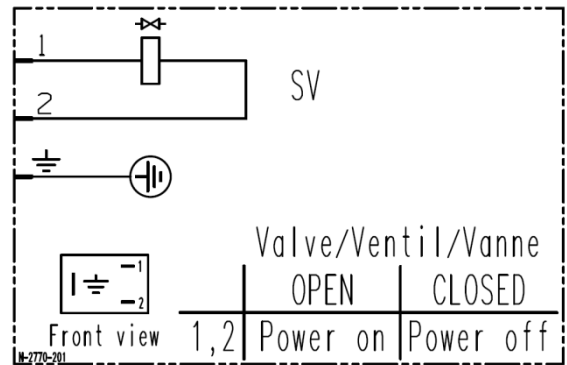
Ordering No. 15036-PA44

| | | |
|--|----------------|---------------------------------------|
| Actuation time | - closing | ≤ 1.5 s |
| | - opening | ≤ 1.5 s |
| Weight | | 6.9 kg / 15.1 lbs |
| Behavior in case of compressed air pressure drop | - Valve closed | - Undefined (not mechanically locked) |
| | - Valve open | - Undefined (not mechanically locked) |
| Behavior in case of power failure | - Valve closed | - Valve remains closed |
| | - Valve open | - Valve closes |

Electrical connections

Solenoid valve

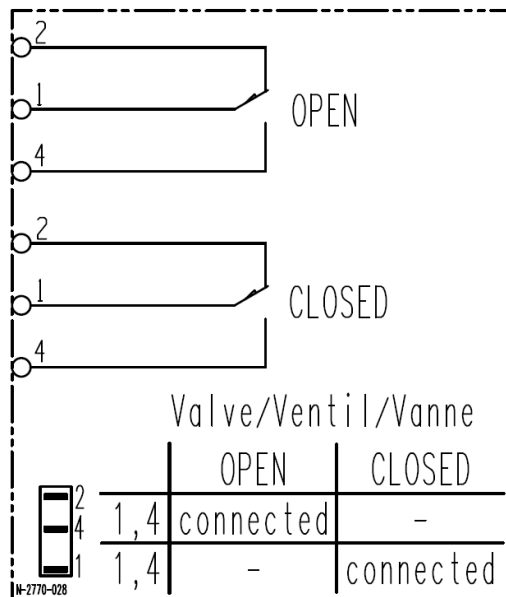
| | |
|---------|------------------|
| Type | 4/2 way |
| Voltage | Defined by order |



Wiring diagram

Position indicator

| | | |
|--------------|--------------|-----------|
| Type | Micro switch | |
| Voltage | ≤ 250 V AC | ≤ 50 V DC |
| Current max. | ≤ 2 A | ≤ 1.2 A |



Wiring diagram

| | | |
|-----------------|--------------------------|-----------------|
| Created by: MAY | Release date: 15.07.2014 | 2/2 |
| Modified by: | Release date: | 756296EA |