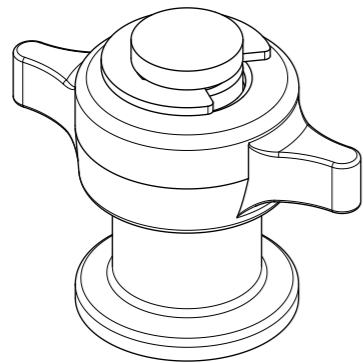
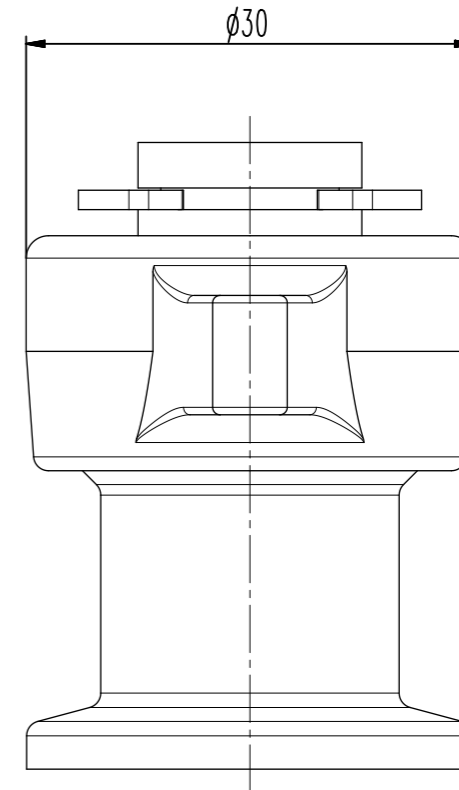
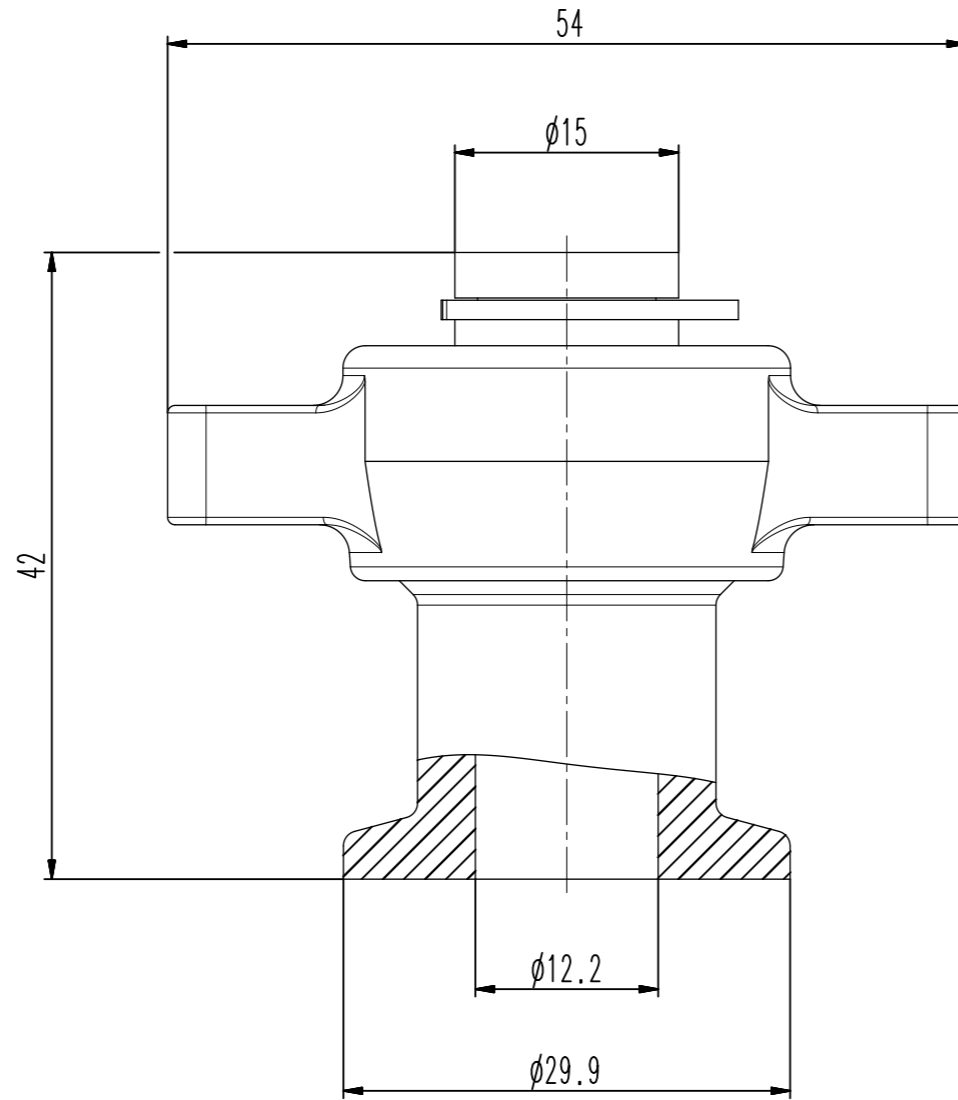


This drawing is the property of VAT.

Revision

Customer number



- ▼ Seat side
- ⊙ Comp. air connection
- ⊙ Electrical connection
- ⊙ Leak detection port
- ⊙ Mech. pos. indication
- ⊙ Position indicator
- ⊙ Required for dismantling
- ⊙ Emergency actuation
- ⊙ For attachment
- ⊙ Bake-out area
- ⊙ Differential pumping port

Venting valve



VAT Vakuumventile AG

CH-9469 Haag, Switzerland
Tel ++41 81 7716161 Fax ++41 81 7714830

Rev.-Date: 15.10.15

Visa: VJE

| | | | |
|---------------------|--------|--------------|-----------------|
| Series | 213 | Ordering No. | 21320-KA01-0002 |
| Projection E | DN | Flange | |
| | 10 | ISO-KF | |
| Dimensional Drawing | 588527 | Rev. | A |