



VAT Vakuumentile AG
CH-9469 Haag, Schweiz

Product data sheet

Series 213, DN 10 ($\frac{3}{8}$ "

Ordering No. 21320-KA66-....

Power Failure Venting Valve

Electromagnetic, without position indicator, single acting, opening spring

Advantages

- For automatic venting of pumps, system or vacuum chambers in case of a power failure



Created by: T. Eugster	Release date: 2013-08-09	1 of 2
Modified by:	Release date:	602501EA



VAT Vakuumentile AG
CH-9469 Haag, Schweiz

Product data sheet

Series 213, DN 10 (3/8")

Ordering No. 21320-KA66-....

Ordering Information

Selection Data

Vacuum connection	DN 10 ISO-KF
Body	aluminum

Power Failure Venting Valve

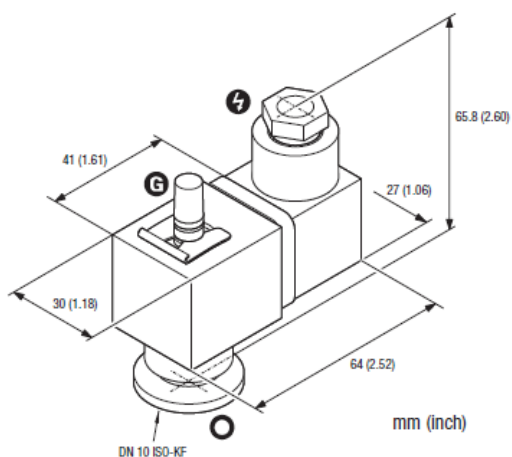
Solenoid valve				
200 – 240 V AC; 50/60Hz		21320-KA66-ABM.		
24 V DC			21320-KA66-000.	
100 - 115 V AC; 50/60Hz				21320-KA66-ABK.
Nominal Power				
Pickup	W / VA	2.5 / -	- / 5	- / 5
Holding	W / VA	2.5 / -	- / 3.7	- / 3.7

Specifications

Cycle life	cycles	3 Mio ¹⁾
Leak rate	mbar l/s	1×10 ⁻⁷
Ambient temperature	°C	0 – 50
Switching frequency	1/min	60
Opening time	ms	30
Closing time	ms	30
Venting time for a 50 l vessel	s	270
Seal		FKM
Protection class		IP 65
Weight	kg	0.1

¹⁾ Cycle life tested at room temperature and under clean and static conditions. Expandable parts are excluded

Dimensions



Created by: T. Eugster	Release date: 2013-08-09	2 of 2
Modified by:	Release date:	602501EA