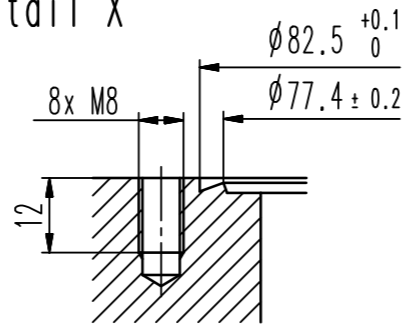
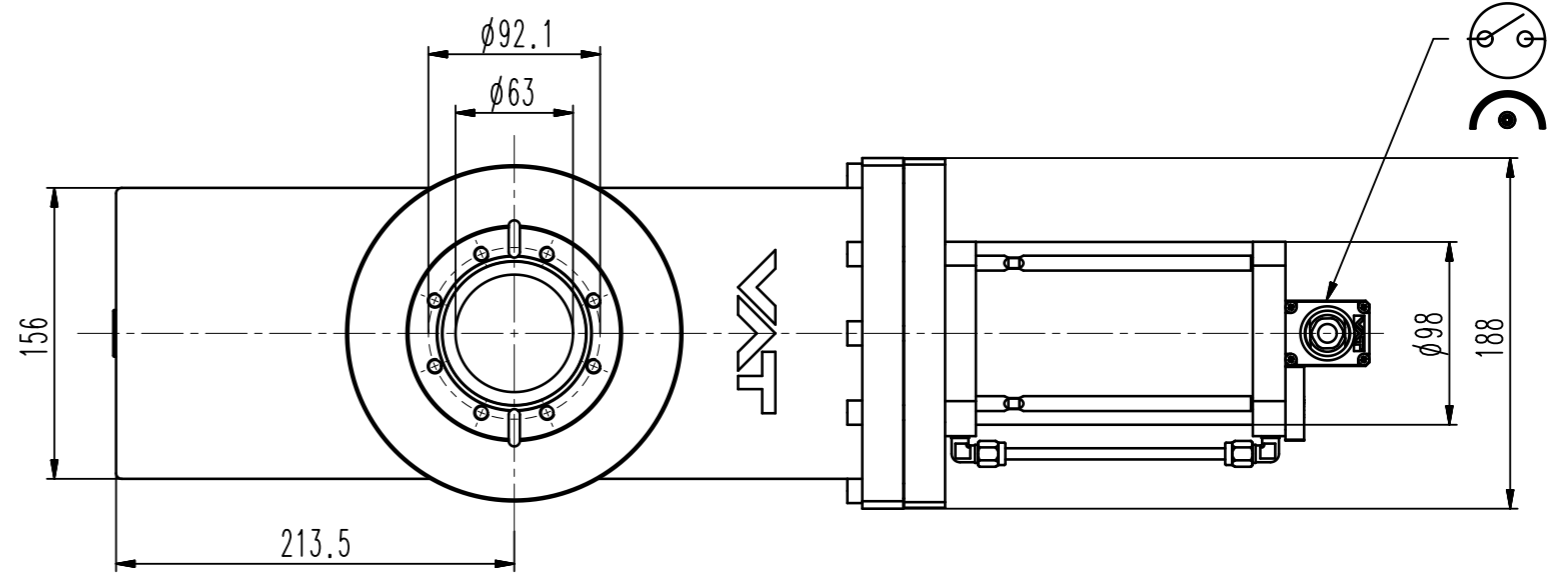
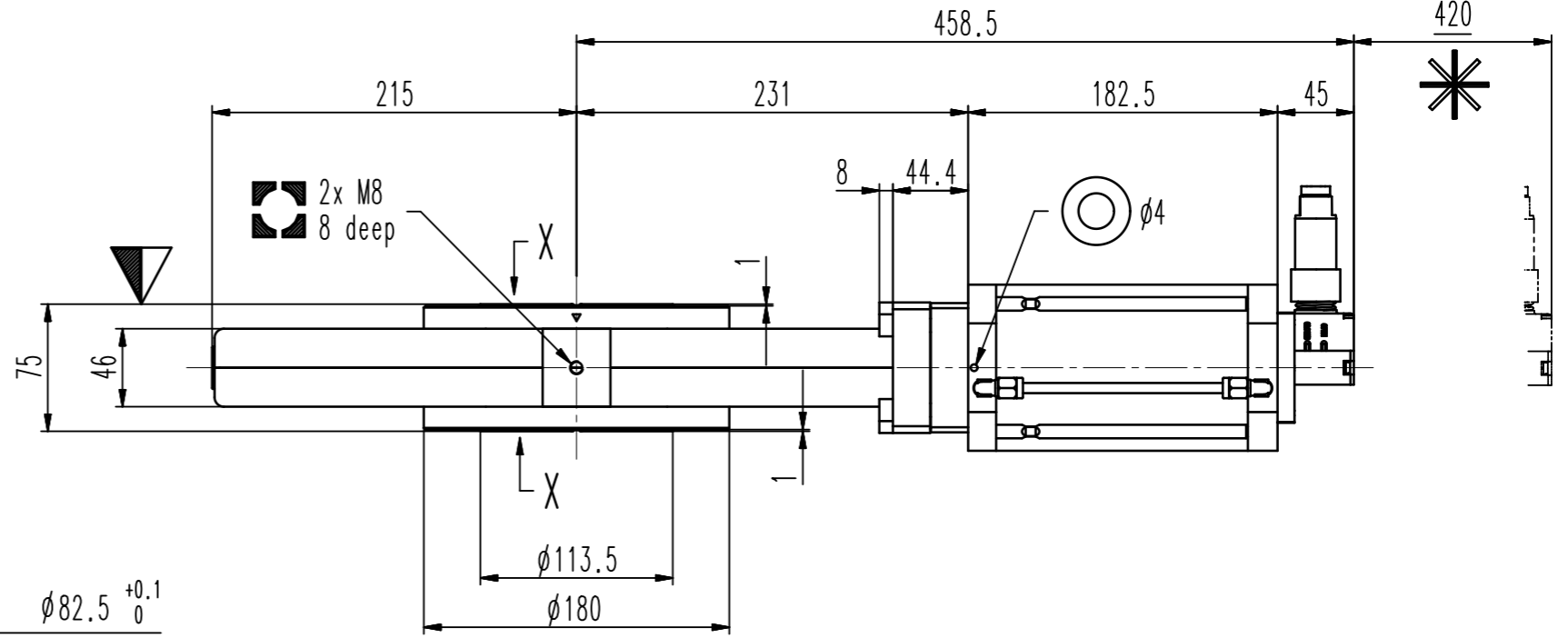
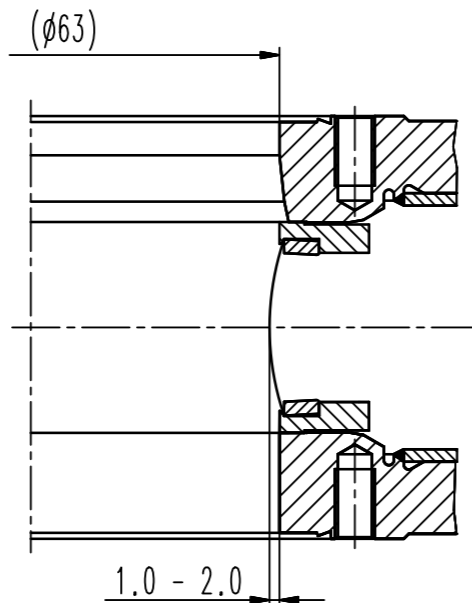


Detail X



RF-Passage



- ▼ Seat side
- ⊙ Comp. air connection
- ⊙ Electrical connection
- ⊙ Leak detection port
- ⊙ Mech. pos. indication
- ⊙ Position indicator
- ⊙ Required for dismantling
- ⊙ Emergency actuation
- ⊙ For attachment
- ⊙ Bake-out area
- ⊙ Differential pumping port

RF all-metal gate valve



VAT Vakuumentile AG
CH-9469 Haag, Switzerland
Tel ++41 81 7716161 Fax ++41 81 7714830

Rev.-Date: 29.04.20
Visa: MAT

| | | | |
|---------------------|---------|--------------|-----------------|
| Series | 472 | Ordering No. | 47236-CE72-0001 |
| Projection E | DN | Flange | |
| | 63 | CF-F m | |
| Dimensional Drawing | 1037825 | Rev. | |