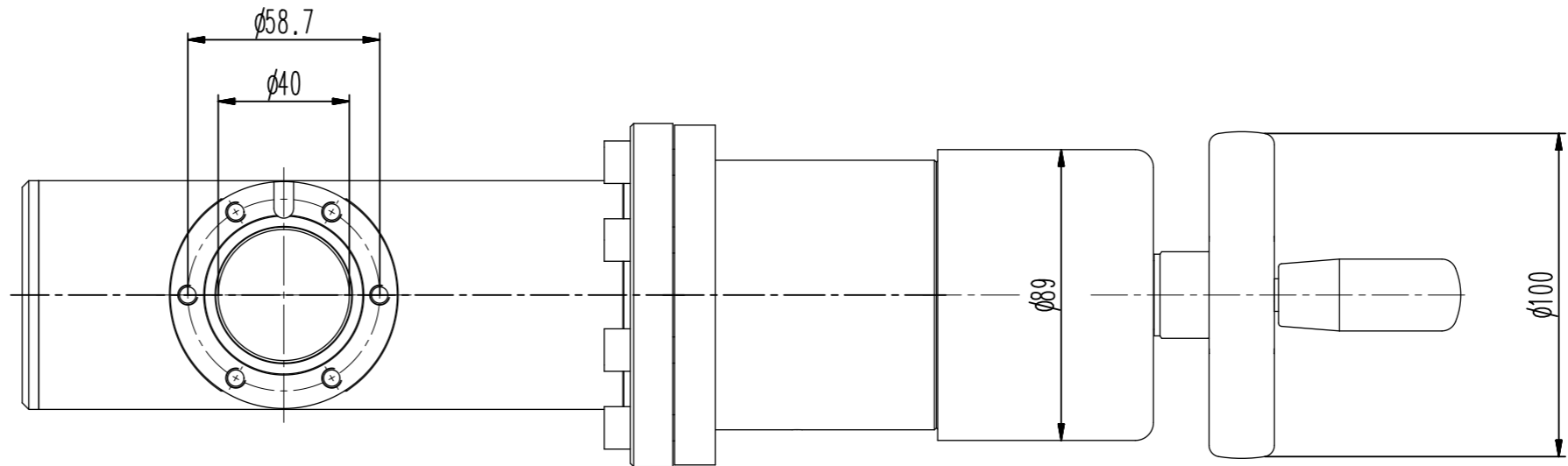
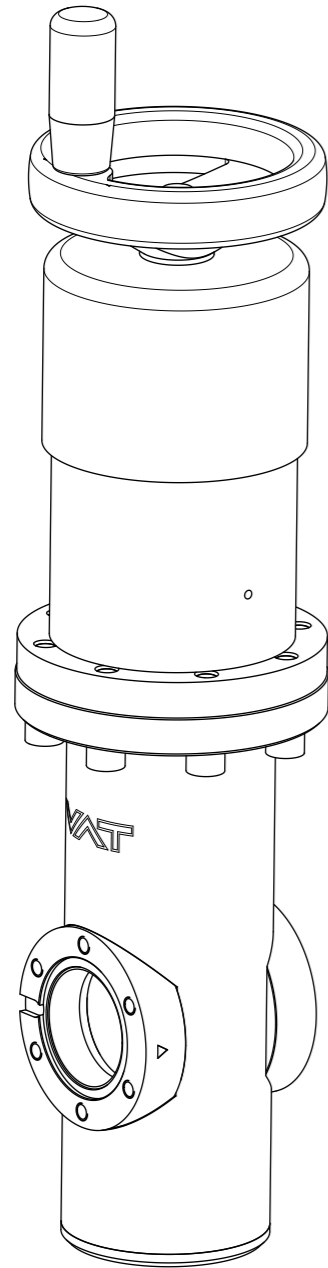
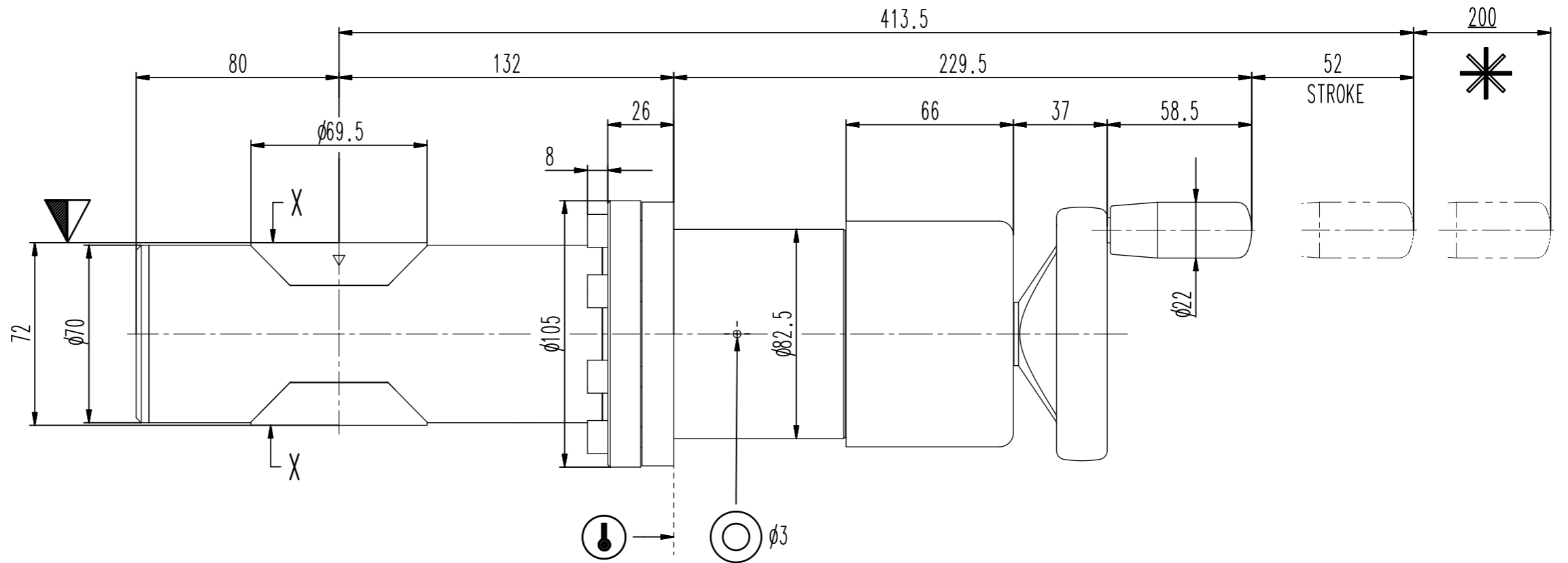
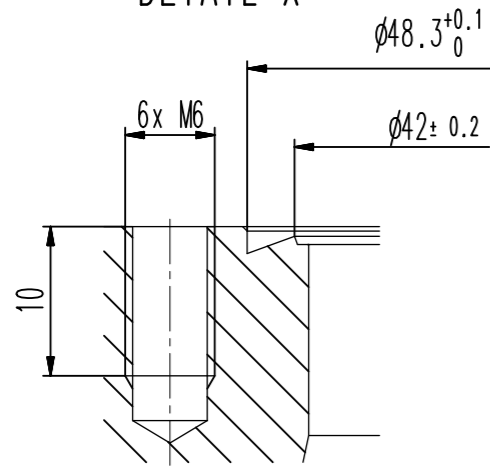


This drawing is the property of VAT.

Revision

Customer number

DETAIL X



- ▼ Seat side
- ⊙ Comp. air connection
- ⊙ Electrical connection
- ⊙ Leak detection port
- ⊙ Mech. pos. indication
- ⊙ Position indicator
- ⊙ Required for dismantling
- ⊙ Emergency actuation
- ⊙ For attachment
- ⊙ Bake-out area
- ⊙ Differential pumping port

All-metal gate valve

Series	481	Ordering No.	48132-CE01-0002
Projection E	DN	Flange	
	40	CF-F m	



VAT Vakuumventile AG

CH-9469 Haag, Switzerland
Tel ++41 81 7716161 Fax ++41 81 7714830

Rev.-Date: 23.06.21

Visa: MAT

Dimensional Drawing

1112242

Rev.

A

VAT/DA