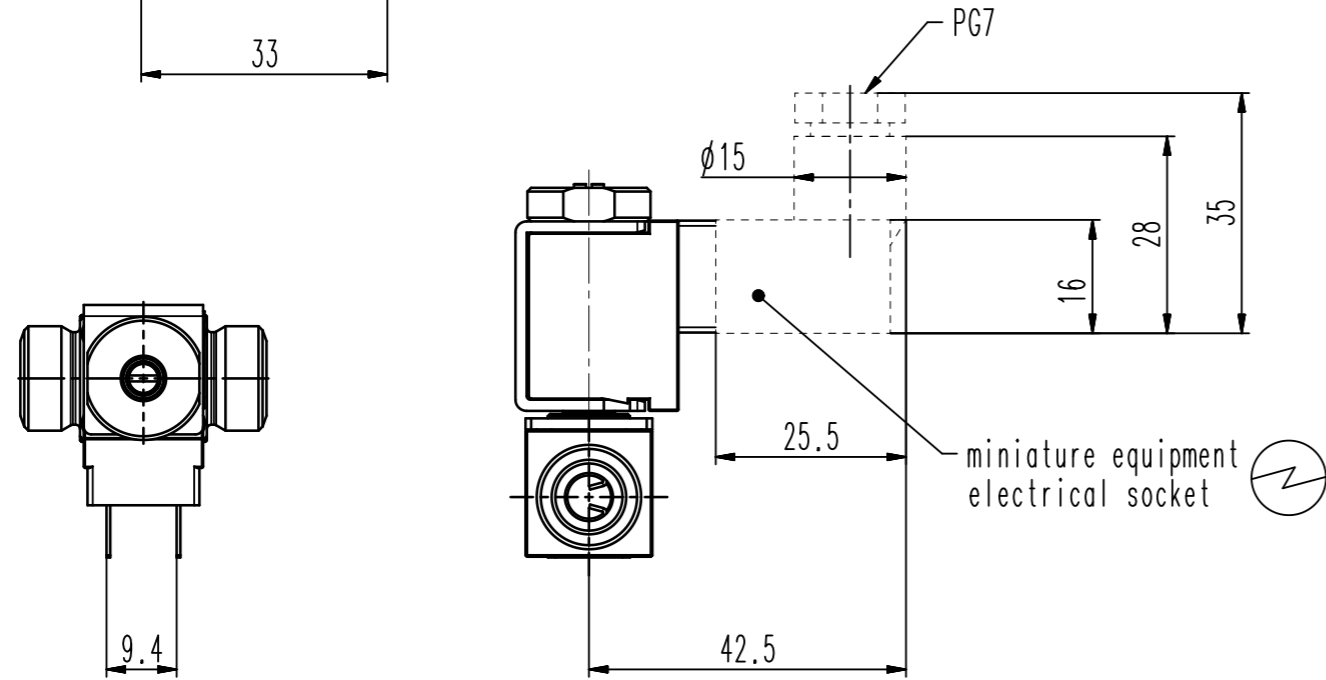
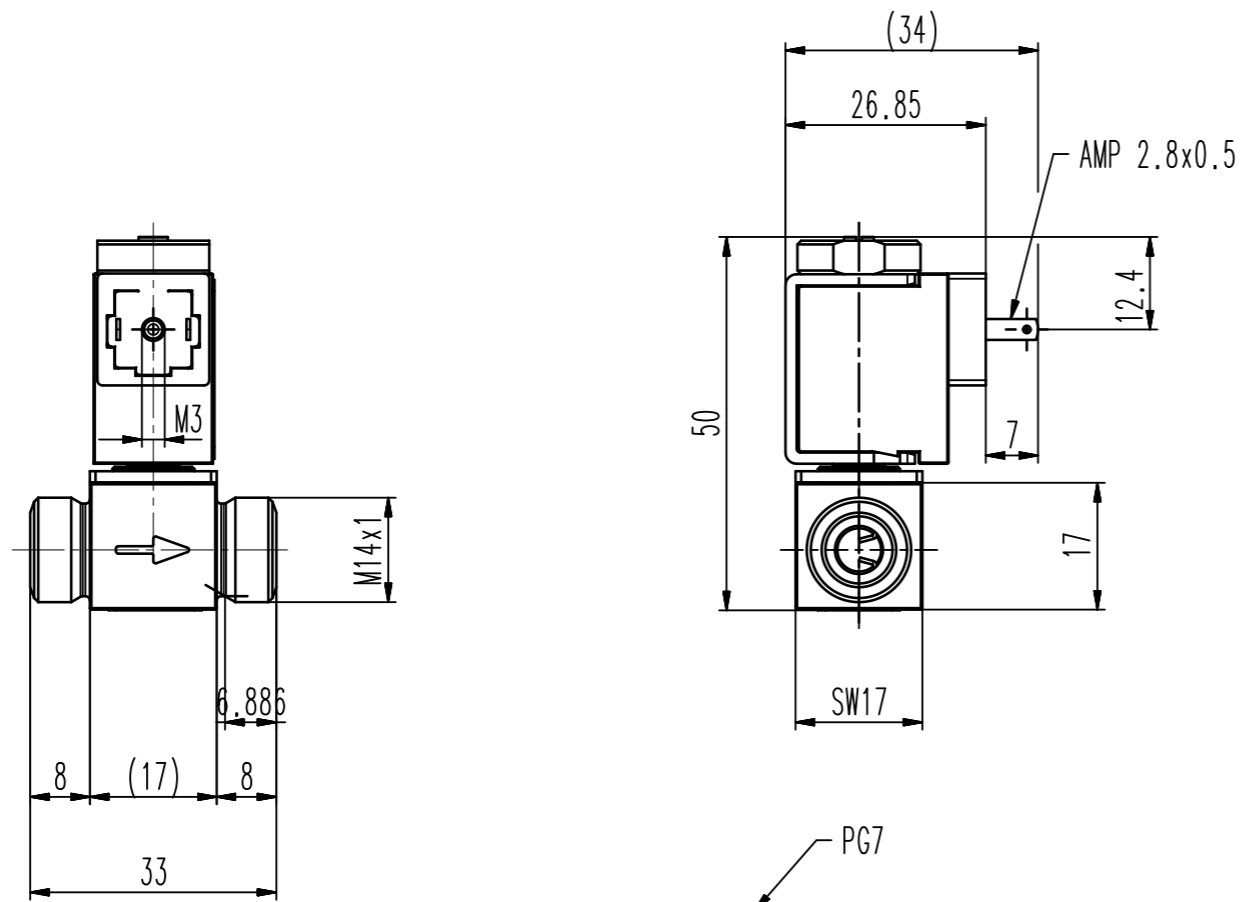


This drawing is the property of VAT.

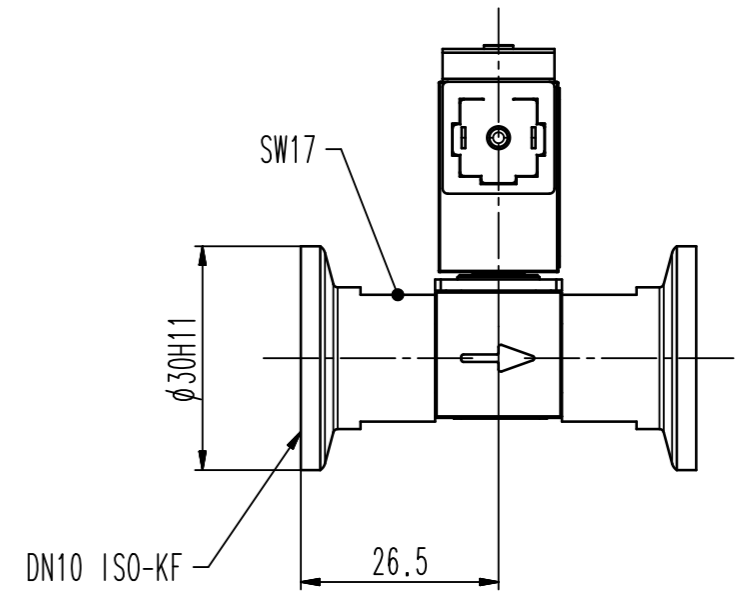
Revision

Customer number

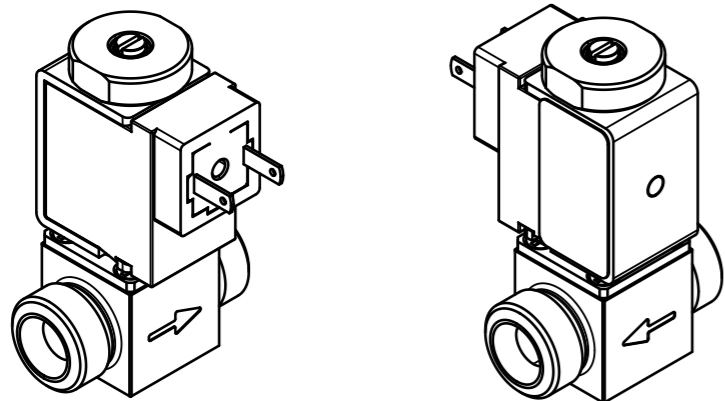
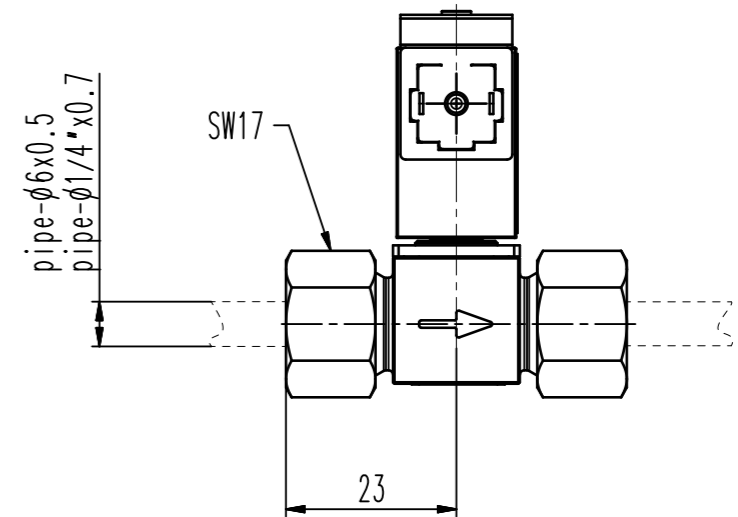


Adapters (accessories)

DN10 ISO-KF (M1:1)



pipe OD 6mm / pipe OD 1/4" (M1:1)



- ▼ Seat side
- ⊙ Comp. air connection
- ⊙ Electrical connection
- ⊙ Leak detection port
- ⊙ Mech. pos. indication
- ⊙ Position indicator
- ⊙ Required for dismantling
- ⊙ Emergency actuation
- ⊙ For attachment
- ⊙ Bake-out area
- ⊙ Differential pumping port

Gas dosing valve

flange: thread M14x1; product: Control range max. 100 sccm;



VAT Vakuumentile AG

CH-9469 Haag, Switzerland  
Tel ++41 81 7716161 Fax ++41 81 7714830

Rev.-Date: 23.12.21

Visa: RUA

Series	627	Ordering No.	62714-XE64-ABG3
Projection E	DN	Flange	X
	5		
Dimensional Drawing	1122713	Rev.	B