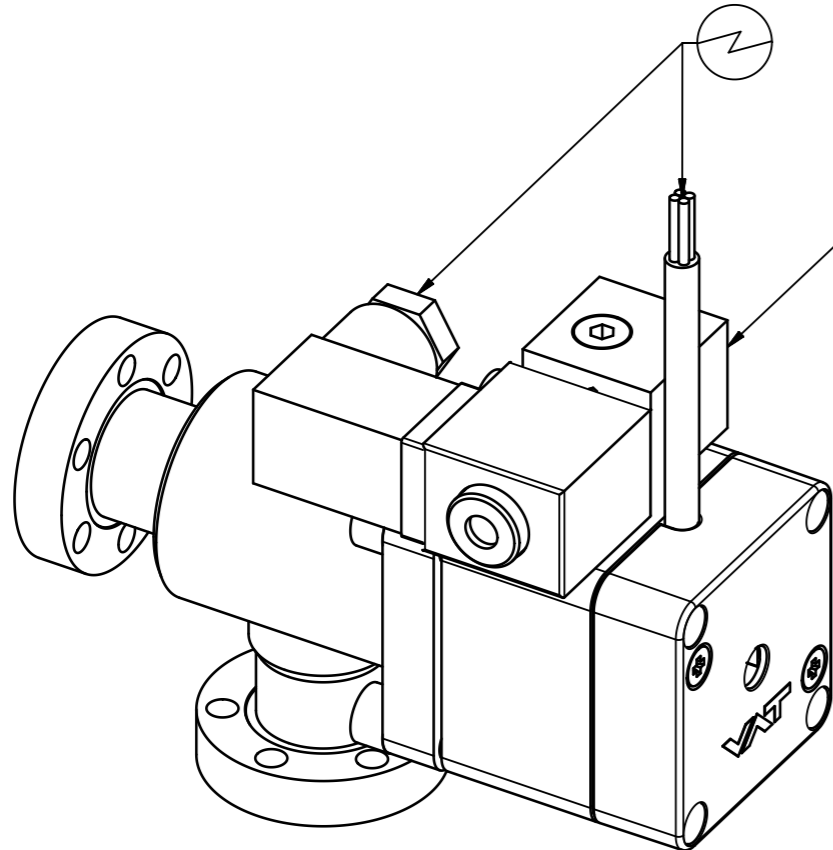
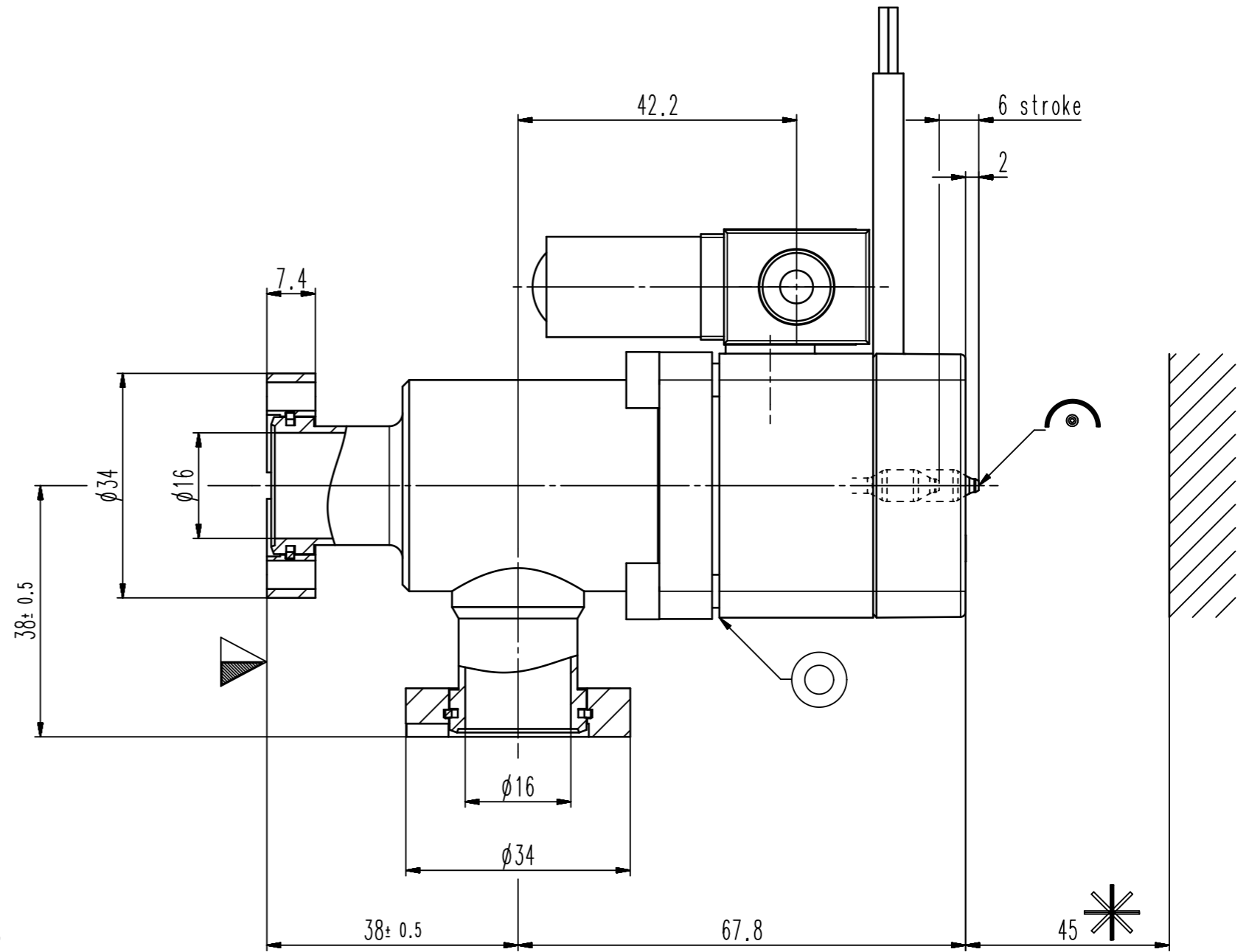
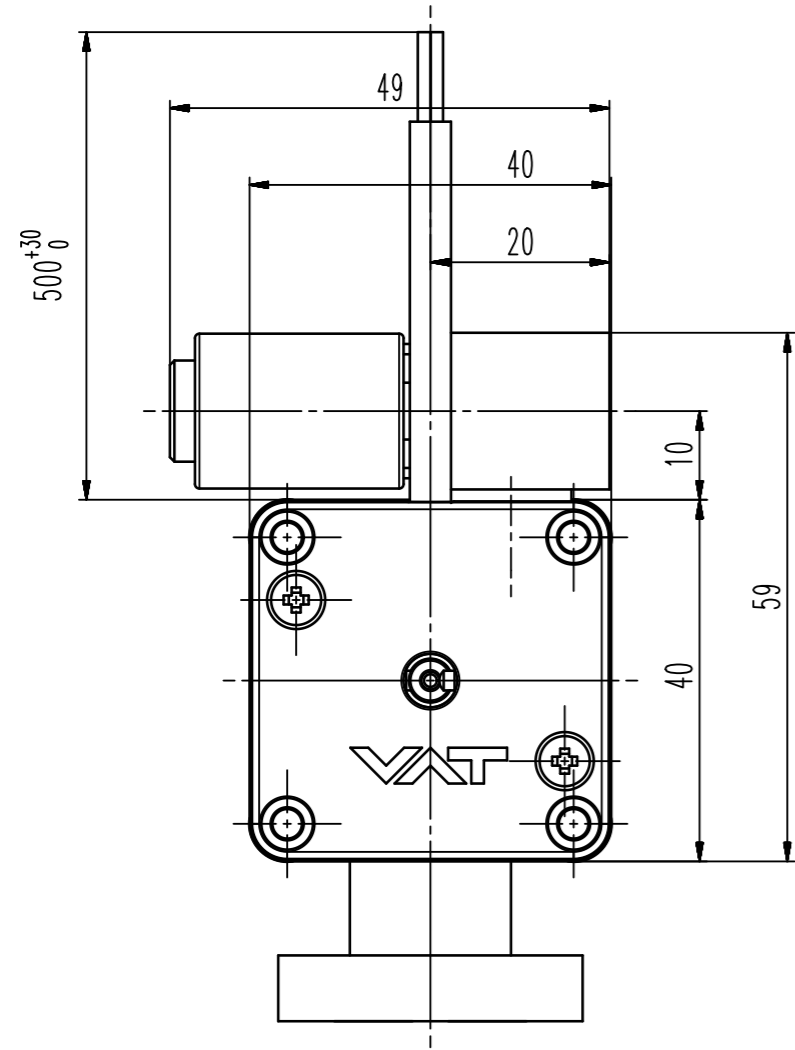


This drawing is the property of VAT.

Revision

Customer number



female M5  
4-8 bar

- ▼ Seat side
- ⊕ Comp. air connection
- ⊖ Electrical connection
- ⊙ Leak detection port
- ⊚ Mech. pos. indication
- ⊛ Position indicator
- ⊜ Required for dismantling
- ⊝ Emergency actuation
- ⊞ For attachment
- ⊟ Bake-out area
- ⊠ Differential pumping port

UHV angle valve



VAT Vakuumventile AG  
CH-9469 Haag, Switzerland  
Tel ++41 81 7716161 Fax ++41 81 7714830

Date: 23.12.05  
Name: KIM

|                     |     |              |                 |
|---------------------|-----|--------------|-----------------|
| Series              | 284 | Ordering No. | 28424-GE41-0001 |
| Projection E        |     | DN           | 16              |
|                     |     | Flange       | CF-R            |
| Dimensional Drawing |     |              | 307911          |
|                     |     | Rev.         | C               |