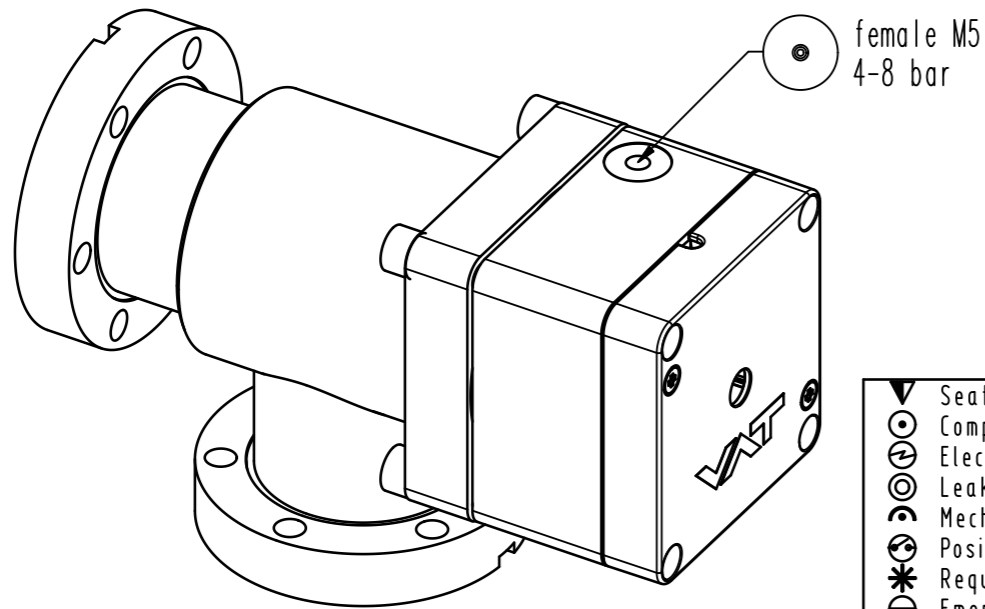
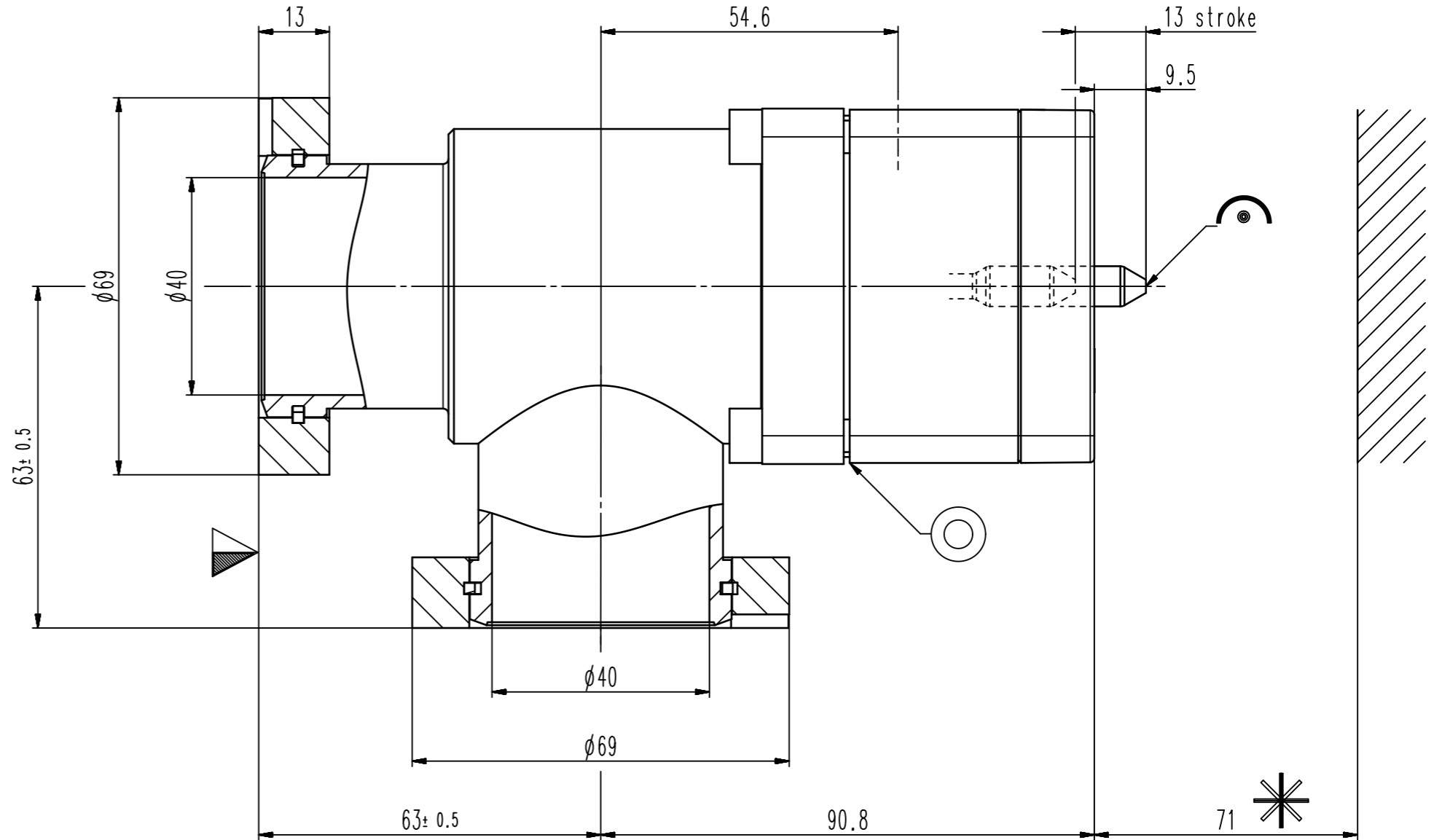
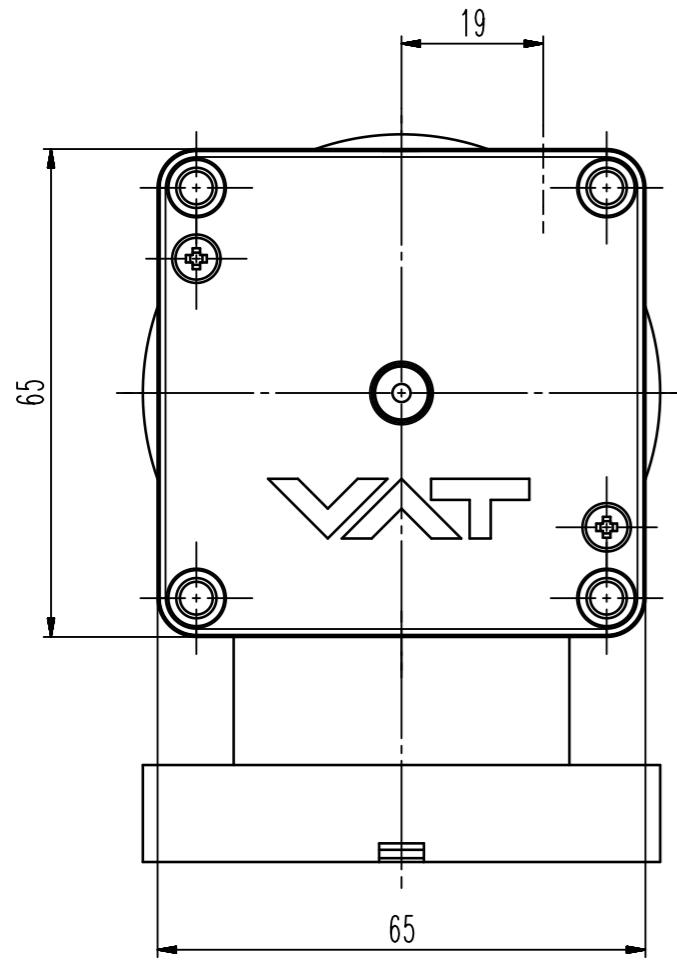


This drawing is the property of VAT.

Revision

Customer number



- ▼ Seat side
- ⊙ Comp. air connection
- ⊙ Electrical connection
- ⊙ Leak detection port
- ⊙ Mech. pos. indication
- ⊙ Position indicator
- ⊙ Required for dismantling
- ⊙ Emergency actuation
- ⊙ For attachment
- ⊙ Bake-out area
- ⊙ Differential pumping port

<h2 style="margin: 0;">UHV angle valve</h2>		Series	Ordering No.	
		284	28432-GE11-0001	
<p style="margin: 0;"> VAT Vakuumentile AG CH-9469 Haag, Switzerland Tel ++41 81 7716161 Fax ++41 81 7714830 </p>		Projection E	DN	Flange
			40	CF-R
<p style="margin: 0;">Date: 08.11.06 Name: LIN</p>		Dimensional Drawing	Rev.	
		330005	B	